

4

3

2

1

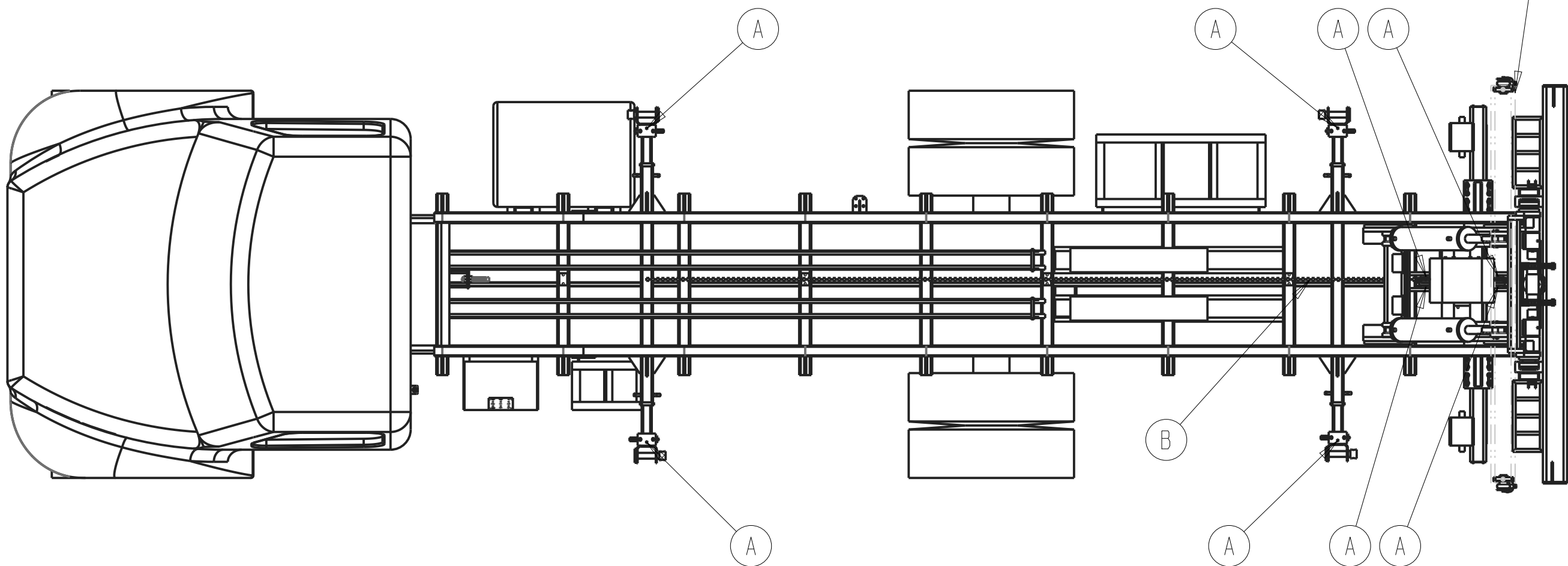
NOTES:

- 1. GREASE ZERK - GREASE FITTINGS EVERY 4 MONTHS OR AS NEEDED.
- 2. ROLLER CHAIN - OIL CHAIN EVERY 4 MONTHS OR AS NEEDED. INSPECT FOR WEAR, REPLACE AS NEEDED.
- 3. LEAF CHAIN - OIL CHAIN EVERY 4 MONTHS OR AS NEEDED. INSPECT FOR WEAR, REPLACE AS NEEDED.
- 4. CABLE CHAIN - INSPECT FOR WEAR REPLACE AS NEEDED.
- 5. TIE DOWN STRAPS - INSPECT FOR WEAR AND TEAR AND REPLACE AS NEEDED.
- 6. HYDRAULIC FLUID - CHANGE HYDRAULIC FLUID YEARLY OR AS NEEDED.
- 7. WELDS - PERIODICALLY INSPECT WELDS FOR CRACKS.

SPECIFICATION REVISIONS

REV	ECO NO	DESCRIPTION	DATE	DRAWN BY	CHECKED BY
A	0000000	NEW	29JUN2016	DA	JJ

VLF-0034 HIDDEN FOR VIEW OF GREASE ZERK



- (A) =GREASE ZERK
- (B) =ROLLER CHAIN
- (C) =LEAF CHAIN
- (D) =CABLE/CHAIN

ENGINEERED
RFB
24JUN2016
DRAWN
JSC
24JUN2016
CHECKED
JJ
24JUN2016

THIRD ANGLE PROJECTION

FOR INTERPRETATION OF DIMENSIONING AND TOLERANCING, SEE ASME Y14.5M-1994

SCALE 0.035

DO NOT SCALE DRAWING, UNLESS OTHERWISE SPECIFIED ALL DIMENSIONS ARE IN: INCHES

Horizontal Lift CO.
 Auburn, AL 36832
 Phone: 678.776.8850

PART DESCRIPTION
HORIZONTAL LIFT MAINTENANCE

UNLESS OTHERWISE SPECIFIED TOLERANCES SHALL BE AS FOLLOWS:

.X	.XX	.XXX	∠°
±0.025	±.01	±.005	±0.5

HORIZONTAL LIFT COMPANY RESERVES PROPRIETARY RIGHTS TO THIS SPECIFICATION AND THE DATA SHOWN THEREON AND IS SUBMITTED IN CONFIDENCE ONLY. SAID SPECIFICATION AND/OR DATA ARE NOT TO BE USED OR REPRODUCED FOR ANY PURPOSE WITHOUT THE EXPRESSED WRITTEN CONSENT OF HORIZONTAL LIFT COMPANY

SIZE B	PART NUMBER HORIZONTAL LIFT MAINTENANCE	SHEET 1 OF 2
-----------	--	-----------------

4

3

2

1

4

3

2

1

SPECIFICATION REVISIONS

REV	ECO NO	DESCRIPTION	DATE	DRAWN BY	CHECKED BY
A	0000000	SEE SHEET 1 FOR DETAILS	29JUN2016	DA	JJ

D

D

C

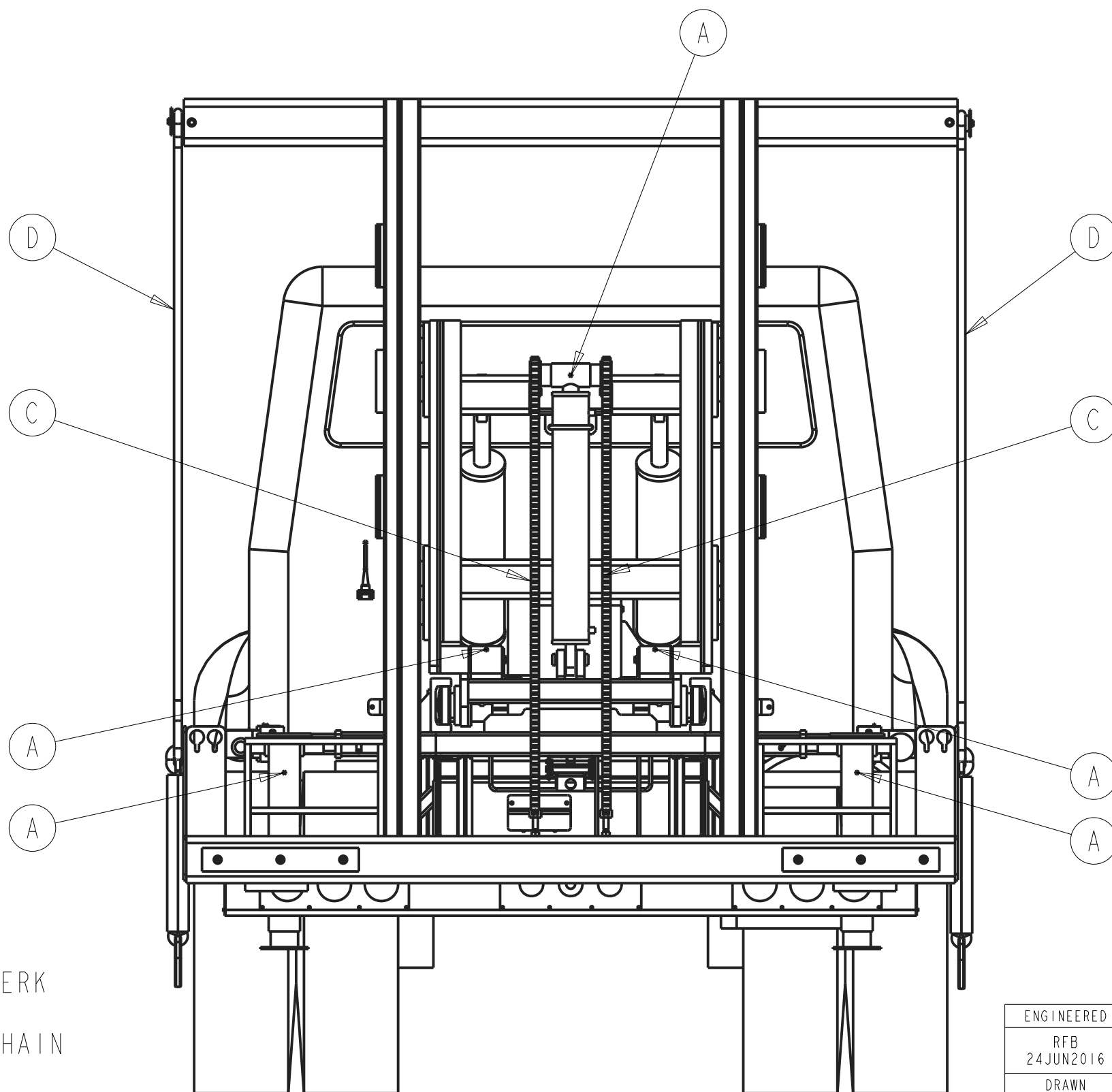
C

B

B

A

A



- (A) =GREASE ZERK
- (B) =ROLLER CHAIN
- (C) =LEAF CHAIN
- (D) =CABLE/CHAIN

SCALE 0.060

ENGINEERED	RFB	24JUN2016
DRAWN	JSC	24JUN2016
CHECKED	JJ	24JUN2016

THIRD ANGLE PROJECTION

FOR INTERPRETATION OF DIMENSIONING AND TOLERANCING, SEE ASME Y14.5M-1994

SCALE 0.035

DO NOT SCALE DRAWING, UNLESS OTHERWISE SPECIFIED ALL DIMENSIONS ARE IN: INCHES

Horizontal Lift CO.
Auburn, AL 36832
Phone: 678.776.8850

PART DESCRIPTION
HORIZONTAL LIFT MAINTENANCE

UNLESS OTHERWISE SPECIFIED TOLERANCES SHALL BE AS FOLLOWS:

.X	.XX	.XXX	∠°
±0.025	±.01	±.005	±0.5

HORIZONTAL LIFT COMPANY RESERVES PROPRIETARY RIGHTS TO THIS SPECIFICATION AND THE DATA SHOWN THEREON AND IS SUBMITTED IN CONFIDENCE ONLY. SAID SPECIFICATION AND/OR DATA ARE NOT TO BE USED OR REPRODUCED FOR ANY PURPOSE WITHOUT THE EXPRESSED WRITTEN CONSENT OF HORIZONTAL LIFT COMPANY

SIZE	PART NUMBER	SHEET
B	HORIZONTAL LIFT MAINTENANCE	2 OF 2

4

3

2

1